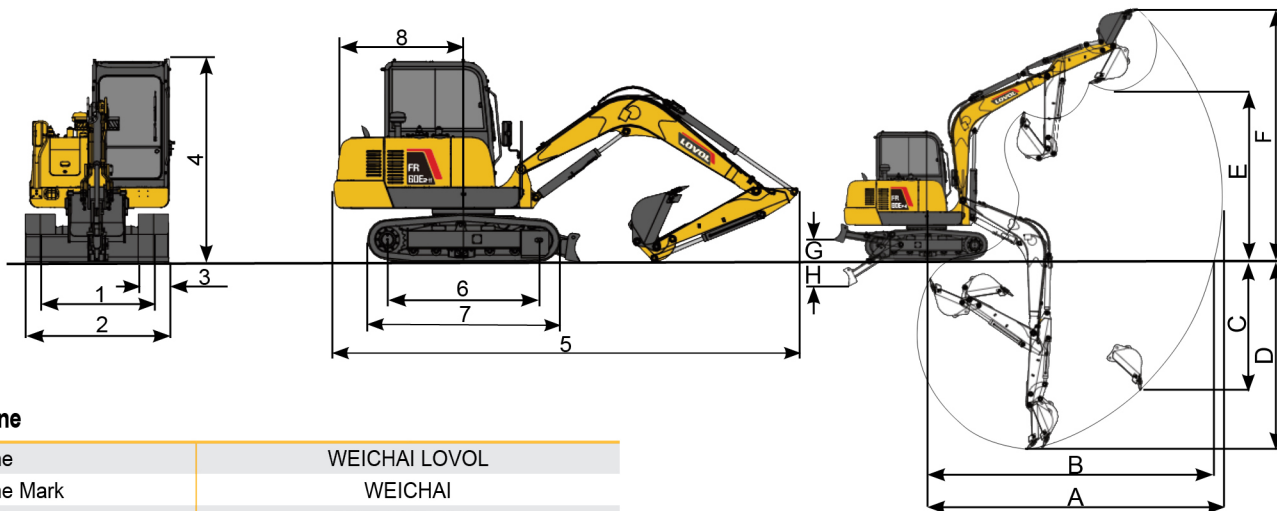


WEICHAI | **LOVOL**



Engine	WEICHAI LOVOL
Rated Power	36.8kW
Bucket Capacity	0.23 m ³ / 0.25 m ³
Operation Weight	5730kg

Model
FR60E2-H
HYDRAULIC EXCAVATOR



Engine

Engine	WEICHAI LOVOL	
Engine Mark	WEICHAI	
Model	WP3.2G50E311	
Engine Type	Diesel Engine, 4 Stroke, Water Cooled, Direct Injection	
Fuel Injection System	High pressure common rail	High pressure common rail with turbocharger
Number of Cylinder-Bore×Stroke	4-98×105mm	
Engine Power / Speed	36.8kW / 2200rpm	
Engine Torque / Speed	200N·m / 1400-1700rpm	
Displacement	3.17L	
Fuel Tank Capacity	110L	120L

- In heavy duty working applications, the main computer controller automatically adjusts power and speed according to the change of the load to ensure high output power, so as to the efficiency will be improved significantly

Walking drive

Type	Hydrostatic			
Travel Speed (Max. / Min)	4.2km/h / 2.4km/h	4.4km/h / 2.4km/h	4.5km/h / 2.45km/h	
Max. Traction Force	55kN	54kN	53kN	
Gradeability	35°			
Track Number (Each side)	40			
Upper Roller / Lower Roller (Each side)	1 / 5			
Ground Pressure	32.33kPa	30.90kPa		
Track Type	Triple grouser			
Track Gauge (1)	1480mm	1500mm	1580mm	1500mm
Shipping Width (2)	1880mm	1900mm	1980mm	2000mm
Track Width (3)	400mm		500mm	
Wheel Tread (6)	1990mm			
Track Length (7)	2529mm			

- The system will automatically speed control.
- The track can be adjustable of tension.
- The left and right track driving independently.

Hydraulic System

Hydraulic Pump	Variable flow axial piston pump
Hydraulic Flow	159L/min
Hydraulic Pressure	24.5MPa
Hydraulic oil tank	90L

- Hydraulic safety lock
- The system will automatically detect the pressure when face big frustration during digging, and automatically adjusts output pressure to keep the powerful force in digging process

Working Performance

Cab Height (4)	2636mm			
Overall Length (5)	6000mm			
Tail Turning Radius (8)	1650mm			
Bucket Type	Standard Bucket With Teeth And Side Cutter			
Bucket Capacity (SAE Heaped)	0.23m ³	0.25m ³		
Bucket Width	650mm	700mm		
Bucket Digging Force	50kN			
Arm Digging Force	31kN			
360° Swing Speed	10r/min			
Blade Dozer	1930mm × 340 mm	1930mm × 400 mm	2050mm × 360 mm	
Blade Dozer Lifting Height (G)	400mm		460mm	
Blade Dozer Falling Height (H)	560mm		380mm	
Arm Type	6m	6.10m	6.30m	6.11m
Max. Digging Radius (A)	6000mm	6100mm	6300mm	6110mm
Max. Digging Radius On Ground Level (B)	5850mm	5950mm	6150mm	5960mm
Max. Vertical Digging Depth (C)	2655mm	2750mm	2950mm	2760mm
Max. Digging Depth (D)	3650mm	3750mm	3950mm	3760mm
Max. Unloading Height (E)	3500mm	3650mm	4005mm	3660mm
Max. Digging Height (F)	5400mm	5600mm	5720mm	5660mm

Electrical System

Electric system	12V	
Battery	12V 100Ah × 1 units	
Alternator	70A	150A

Cab

- All weather steel cap with safety glass, ROPS/FOPS cab, safe work, air condition
- Adjustable seat with safety belt is very comfortable
- Wipers, radio
- LCD Display screen: 2 modes (bucket mode, breaker mode) hour meter, voltage charger, water-cooling temperature, engine oil pressure, hydraulic oil pressure, fuel level, etc., and add trouble code diagnostic and maintenance monitor functions which are convenient for operator to find the failure and do the routine maintenance on time

Optional Configuration

<input type="checkbox"/> Hydraulic breaker	<input type="checkbox"/> Rubber track
<input type="checkbox"/> Quick coupler	<input type="checkbox"/> Flail Head
<input type="checkbox"/> Rubber track pad	<input type="checkbox"/> MONO GPS system on computer, smartphone (android, IOS)

LOVOL HEAVY INDUSTRY GROUP CO.,LTD.

Address: No.75, Huanghe East Road, Huangdao District, Qingdao City, Shandong Province, China.

As manufacturer, LOVOL has right to constantly upgrade and improve our products without informing to customers. The pictures in illustrators are for reference only, the detailed specifications are subject to real products.