

TECHNICAL SPECIFICATIONS



Engine

Engine Model	ISUZU 6HK1XKSC
Number of Cylinders	6
Max. Torque/Speed	1080N·m/1500rpm
Displacement	7.79L



Hydraulic system

Max. Main Pump Flow	576L/min
Main Safety Valve Pressure	34.3MPa



Main Performance

Bucket Digging Force	218kN
Arm Digging Force	169kN
Max. Traction Force	289kN
Max. Walking Speed	5.4km/h
Min. Walking Speed	3.0km/h
Rotary Speed	7.8r/min
Gradeability	35°
Ground Pressure	69kPa



Oil Capacity

Fuel Tank	630L
Hydraulic Tank	340L
Engine Oil	38L



LOVOL CONSTRUCTION MACHINERY GROUP CO., LTD.

Address: No. 75, Huanghe East Road, Huangdao District, Qingdao City, Shandong Province, China.

Website: en.lovol.com

Alibaba: lovolconstruction.en.alibaba.com

Facebook: Cons Lovol

E-mail: lovol_overseas@global.lovol.com

TEL: +86-532-86907190

As manufacturer, LOVOL has right to constantly upgrade and improve our products without informing to customers. The pictures in literatures are for reference only, the detailed specifications are subject to real products.



Rated Power

212kW/2000rpm

Operating Weight

35800kg

Bucket Capacity

1.65m³

FR350E2-HD

EXCAVATOR



RELIABILITY

Powerful Engine

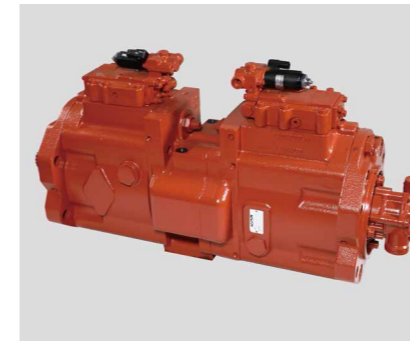
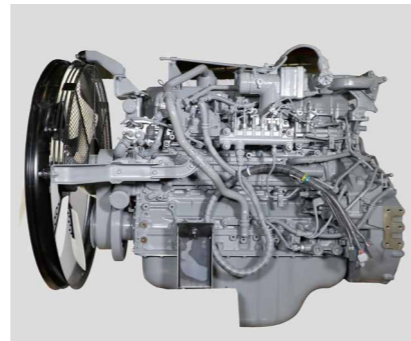
Original Isuzu engine imported from Japan which is specially designed for mining applications, the rated power is 212KW. This engine meets the emission standard of US Tire3F and also EU Stage III A.

Electric Control Positive Flow System

During the design stage, LOVOL has utilized latest technologies to develop an integrated hydraulic system. The positive flow control system adjusts the displacement of pump and the motion of valve spool simultaneously, delivering optimal operating experience for the operator with smooth and responsive control.

Core Components

Relying on Japan Engineering Center, LOVOL has establishing solid partnership with world-renowned enterprises and improve the quality and service life of these components. The supply of the core components like engine, pump, valve, motor, cylinder and forth also can be priority guaranteed.



PRODUCTIVITY

Superb Match

Each component in powertrain system, such as engine, gear, rotary motor, working pumps and hydraulic cylinder are specially customized to achieve perfect match with one another, the whole system features are more reliable.

Outperformance

To carry out the mining applications, the machine equips with powerful engine combining with large flow hydraulic system, together with electric-positive flow hydraulic control system to make machine more suitable for tough projects.

Great Digging Force

On the premise of ensuring static digging force, LOVOL dedicate to research of dynamic digging force. The system will automatically detect the pressure when face big frustration during digging, and automatically adjusts output pressure to keep the powerful force in digging process.

ROBUSTNESS



Rigorous Test and Experiment

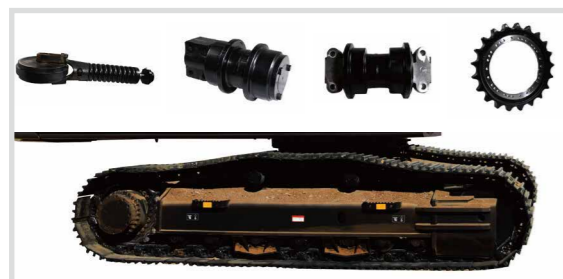
Machine test: LOVOL CL-6 machine testing yard covers more than 200,000 square meters, it can simulate various applications like earthmoving, aggregate, sand, quarry and forth. The test including strengthen vibration, noise, working efficiency, oil consumption, travel and climbing tests, etc. Every new model should go through more than 2,000 working hours strengthen combination test here.

Robust Chassis (Extensional)

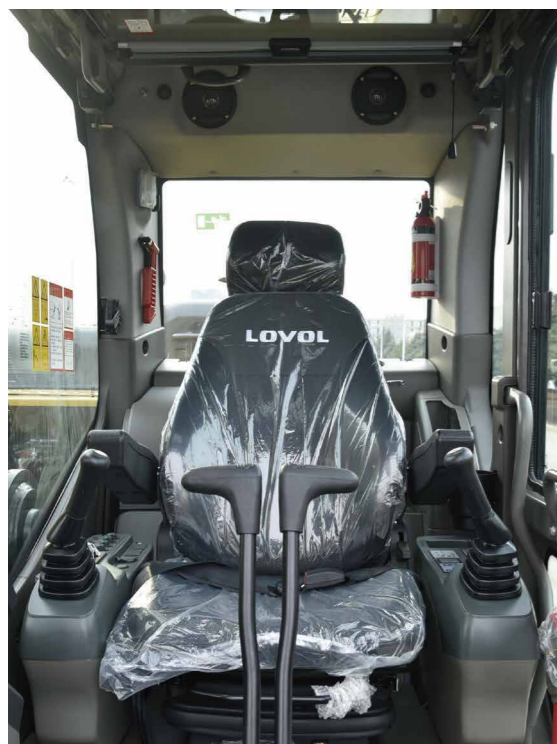
Improved heat treatment of Track Roller, Carrier Roller, Idler, Drive Roller and Track's surface, which makes each part more resistant to prolong the service life. The Track roller and Idler utilize anti-freeze grease and seals which can protect parts when working in the temperature of -40 C. Lifetime self-lubrication chain and reinforced track beam make the chassis more robust.

Reinforced Working Device

Adopts high-strength rock bucket teeth which is special suitable for the tough applications, the boom and arm are reinforced to prolong the service life. Self-lubrication shaft sleeve is used to make every linkage works smoothly with high durability.



COMFORT



Large Space Cab

Equipped with large cab which provides operator big space to operate machine. The premium suspension seat with armrests is very comfortable and it can reduce the working fatigue dramatically. Front windshield can be partially or fully retracted to the cab roof. Rearview camera is optional to get better rear vision in order to improve operation safety in jobsite.

Ergonomic Design

The proportional joystick delivers sensitivity, accuracy and smoothness in operation. This joystick is specially designed to meet different operating conditions. Intelligent control system is standard which could control diverse attachments such as bucket, hammer, scarifier and hydraulic scissors.

Low Noise and Low Vibration

In order to reduce work fatigue and improve productivity, the noise inside of cab has been controlled to the lowest level. The cab is attached to the frame with buffer that dampens vibrations and sound levels to enhance operator comfort.

INCREASE YOUR PRODUCTIVITY AND PROFIT WITH LOVOL ATTACHMENTS

You can easily expand the performance of your machine by utilizing any of the variety of LOVOL Attachments.

Each LOVOL Attachments is designed to fit the weight and horsepower of LOVOL Excavator for improved performance, safety, and stability.



Quick Coupler



Hydraulic Shear



Hydraulic Hammer



Standard Bucket



STANDARD CONFIGURATION

Engine

- Turbocharged, 6-cylinders, water-cooling, direct injection
- Radiator with protective fence
- Air Pre-filter
- Air intake heater
- Fan guard
- Double filters, dry air filter
- Engine oil pan with oil drain valve
- Automatic idle speed system

Cab

- Cigarette lighter
- Seat belt
- Shade plate
- Storage compartment
- Emergency hammer
- Air conditioner
- Audio speaker
- Shock absorber
- Flexible aerial
- Radio
- Hydraulic safety locking rod
- Sun proof safety glass

Hydraulic System

- Automatic hydraulic system (flow confluence system)
- Multistage filtration system
- Anti-sway valve
- Boom and stick locking valve
- Cylinder buffer device
- Anti-slope turning device
- Waste oil drainage pipeline
- Pilot buffer valve (rotary, stick, boom)

- Cab floor mat
- Pull-up front window
- Dismountable lower windshield
- Sun shade window
- Windshield wiper
- Skylight window
- Suspended seat
- Big storage area

Electronic Control System

- 24V power battery
- Monitor brightness adjustment
- Maintenance tips
- Safe stop & start function
- Master switch
- Engine start protection
- Multilingual display
- Cab ceiling light
- Diagnostic interface
- Emergency stop switch
- Automatic diagnosis system
- Automatic idle speed system
- One-touch pressure enhancement
- Anti-theft system

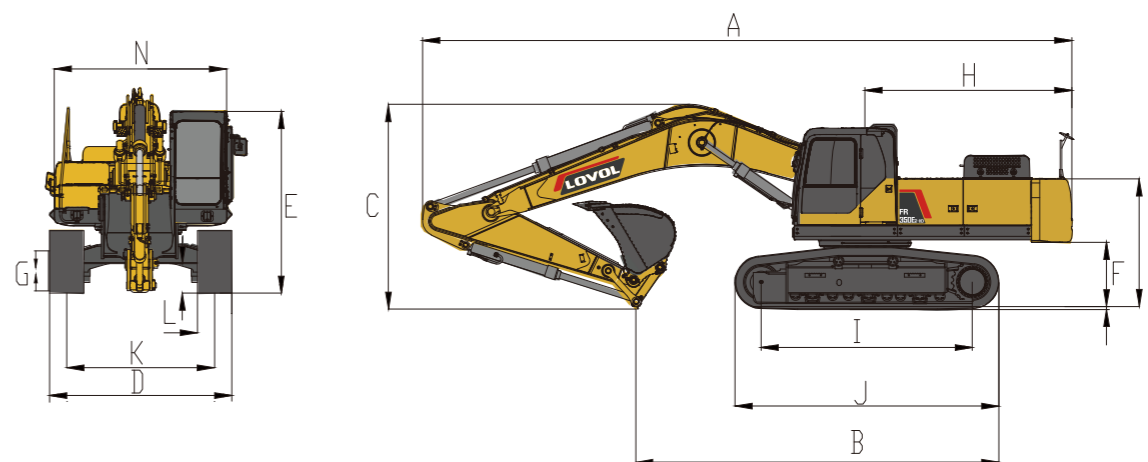
Swing Platform

- Toolbox
- Large pedal
- Large handrail
- Bottom guard plate
- Anti-crash beams
- Anti-skid plates
- Handrails
- Tool box
- Spare parts box

Chassis

- Fixed chassis
- 600mm triple tooth track plate

TECHNICAL SPECIFICATIONS

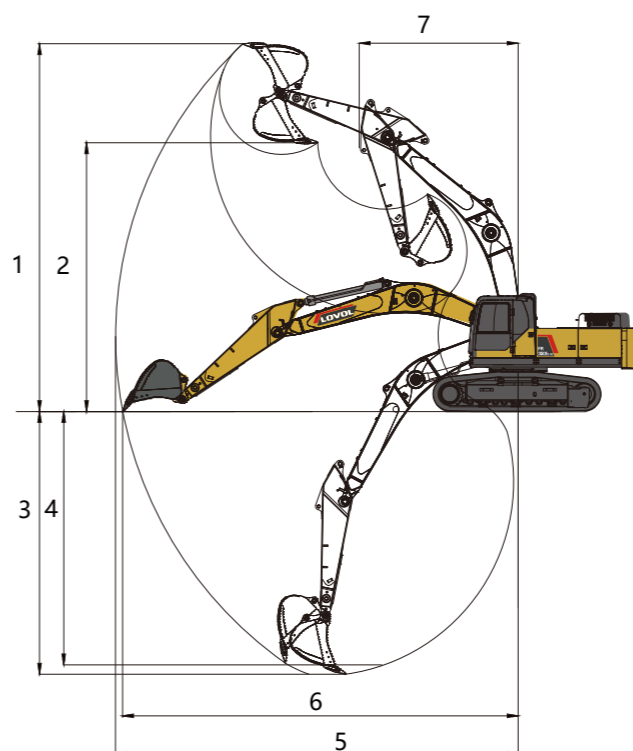


Working Range

Max. Digging Height	1	10120mm
Max. Dumping Height	2	7400mm
Max. Digging Depth	3	7357mm
Max. Vertical Digging Depth	4	6365mm
Max. Digging Radius	5	11101mm
Max. Ground Digging Radius	6	10880mm
Min. Turning Radius	7	4371mm

Dimensions

Shipping Length	A	11300mm
Shipping Ground Length	B	5836mm
Boom Height	C	3235mm
Shipping Width	D	3202mm
Cab Height	E	3290mm
Ground Clearance of Counter Weight	F	1205mm
Min. Ground Clearance	G	520mm
Tail Turning Radius	H	3560mm
Length to Center of Rollers	I	4040mm
Track Length	J	4950mm
Track Gauge	K	2590mm
Track Shoe Width	L	600mm
Hood Height	M	2300mm
Rotary Platform Width	N	3202mm



Other Specifications

Boom Length	6470mm
Arm Length	3190mm
Track Section Number (each side)	48
Track Roller Number	9